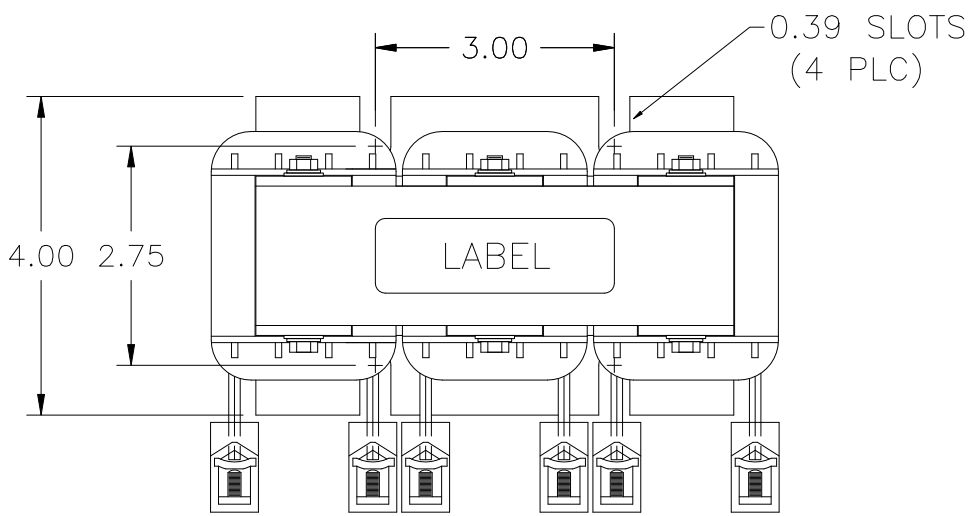


FILE: P:\ENG\PROD\DOC\RLW\RLW-

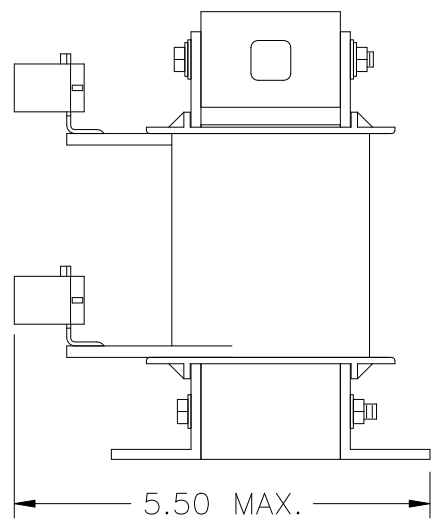
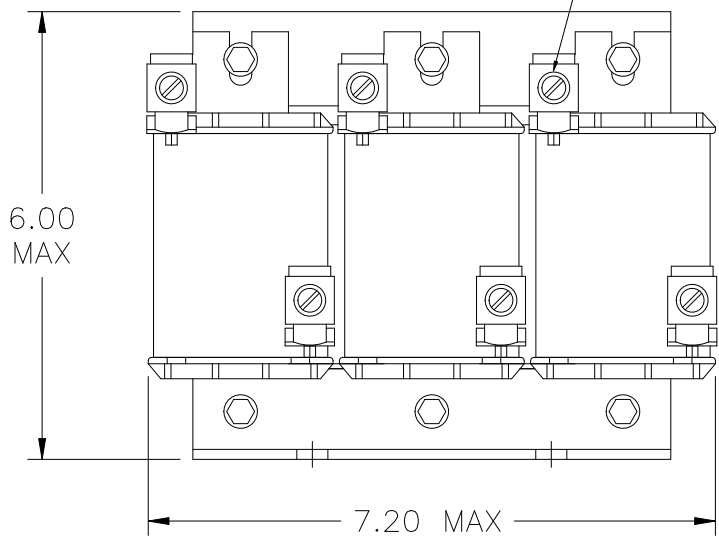
INDUCTANCE	LOSSES	WEIGHT
0.19 mH	87 Watts	18 Lbs

NO.	CHANGE DESCRIPTION	BY	DATE	C'K'D
-----	--------------------	----	------	-------



WIRE RANGE: 6-0 AWG

CAUTION-TERMINAL SCREW TIGHTENING  
TORQUE: 6-4 (45) in-lb MAX.  
2-0 (50) in-lb MAX.



UNLESS OTHERWISE SPECIFIED, DIMENSIONS ARE IN INCHES [mm] AND TOLERANCES ARE:

DECI.                      FRAC.  
  
ANGLES                      DRILLED HOLES

PART NAME:	3 PHASE REACTOR
DESCRIPTION:	OUTLINE DIMENSION
FINISH:	

MTE CORPORATION  
MENOMONEE FALLS, WISCONSIN

RLW-006501

REV.  
01

SCALE	NTS	DATE	2/05/09	C'K'D
REF.		DR. BY	BF	APP'D